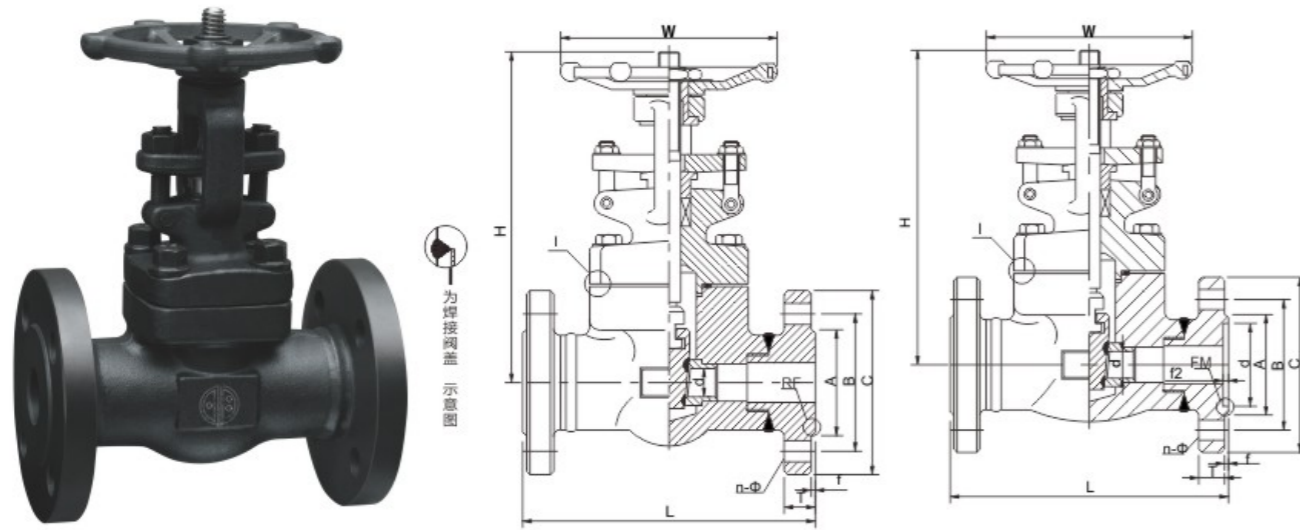


● Z41Y-16~25, 40

技术要求

1. 设计与制造按JB/T7746的规定。
2. 结构长度按GB/T12221的规定。
3. 法兰端尺寸按JB/T82.1 RF82.2 FM 82.4 RJ的规定。
4. 检验与试验按JB/T9092及GB/T26480的规定。
5. 结构特征: B·B(中部螺栓)或 W·B(中部焊接) 流量: 全径 (FP) 缩径 RP。
6. 主体材料: A105, LF2, F5, F11, F22, F91, F304, F316, F304L, F316L, F347, F310S, F51特殊材料等



主要外形尺寸及连接尺寸

单位:mm

| DN | d | L | H | W | A | B | C | d | f | f2 | T | N-Φ |
|------------------|------|-----|-----|-----|-----|-----|-----|----|---|----|----|------|
| PN16~PN25 | | | | | | | | | | | | |
| 15 | 10.5 | 130 | 155 | 100 | 45 | 65 | 95 | - | 2 | - | 16 | 4-14 |
| 20 | 13 | 150 | 157 | 100 | 55 | 75 | 105 | - | 2 | - | 16 | 4-14 |
| 25 | 17.5 | 160 | 186 | 125 | 65 | 85 | 115 | - | 2 | - | 16 | 4-14 |
| 32 | 23.5 | 180 | 220 | 160 | 75 | 100 | 135 | - | 2 | - | 18 | 4-18 |
| 40 | 28 | 200 | 246 | 160 | 85 | 110 | 145 | - | 2 | - | 18 | 4-18 |
| 50 | 36 | 250 | 268 | 180 | 100 | 125 | 160 | - | 2 | - | 20 | 4-18 |
| PN40 | | | | | | | | | | | | |
| 15 | 10.5 | 130 | 155 | 100 | 45 | 65 | 95 | 40 | 2 | 4 | 16 | 4-14 |
| 20 | 13 | 150 | 157 | 100 | 55 | 75 | 105 | 51 | 2 | 4 | 16 | 4-14 |
| 25 | 17.5 | 160 | 186 | 125 | 65 | 85 | 115 | 58 | 2 | 4 | 16 | 4-14 |
| 32 | 24 | 180 | 220 | 160 | 75 | 100 | 135 | 66 | 2 | 4 | 18 | 4-18 |
| 40 | 29 | 200 | 246 | 160 | 85 | 110 | 145 | 76 | 2 | 4 | 18 | 4-18 |
| 50 | 36.5 | 250 | 268 | 180 | 100 | 125 | 160 | 88 | 2 | 4 | 20 | 4-18 |

● Z41Y-63, 100, 160, 250

主要外形尺寸及连接尺寸

单位:mm

| DN | d | L | H | W | A | B | C | d | f | f2 | T | N-Φ |
|--------------|------|-----|-----|-----|-----|-----|-----|----|---|----|----|------|
| PN63 | | | | | | | | | | | | |
| 15 | 10.5 | 170 | 161 | 100 | 55 | 75 | 105 | 40 | 2 | 4 | 20 | 4-14 |
| 20 | 13 | 190 | 163 | 100 | 68 | 90 | 125 | 51 | 2 | 4 | 22 | 4-18 |
| 25 | 17.5 | 210 | 200 | 125 | 78 | 100 | 135 | 58 | 2 | 4 | 24 | 4-18 |
| 32 | 24 | 230 | 220 | 160 | 82 | 110 | 150 | 66 | 2 | 4 | 24 | 4-23 |
| 40 | 29 | 240 | 252 | 160 | 95 | 125 | 165 | 76 | 3 | 4 | 26 | 4-23 |
| 50 | 36.5 | 250 | 290 | 180 | 105 | 135 | 175 | 88 | 3 | 4 | 28 | 4-23 |
| PN100 | | | | | | | | | | | | |
| 15 | 10.5 | 170 | 161 | 100 | 55 | 75 | 105 | 40 | 2 | 4 | 20 | 4-14 |
| 20 | 13 | 190 | 163 | 100 | 68 | 90 | 130 | 51 | 2 | 4 | 22 | 4-18 |
| 25 | 17.5 | 210 | 200 | 125 | 78 | 100 | 135 | 58 | 2 | 4 | 24 | 4-18 |
| 32 | 24 | 230 | 220 | 160 | 82 | 110 | 150 | 66 | 2 | 4 | 26 | 4-23 |
| 40 | 29 | 240 | 252 | 160 | 95 | 125 | 165 | 76 | 3 | 4 | 28 | 4-23 |
| 50 | 36.5 | 250 | 290 | 180 | 112 | 145 | 195 | 88 | 3 | 4 | 30 | 4-25 |
| PN160 | | | | | | | | | | | | |
| 15 | 10.5 | 170 | 161 | 100 | 55 | 75 | 105 | 40 | 2 | 4 | 20 | 4-14 |
| 20 | 13 | 190 | 163 | 100 | 68 | 90 | 130 | 51 | 2 | 4 | 22 | 4-18 |
| 25 | 17.5 | 210 | 200 | 125 | 78 | 100 | 135 | 58 | 2 | 4 | 24 | 4-18 |
| 32 | 24 | 230 | 220 | 160 | 82 | 110 | 150 | 66 | 2 | 4 | 26 | 4-23 |
| 40 | 29 | 240 | 252 | 160 | 95 | 125 | 165 | 76 | 3 | 4 | 28 | 4-23 |
| 50 | 36.5 | 250 | 290 | 180 | 112 | 145 | 195 | 88 | 3 | 4 | 30 | 4-25 |
| PN250 | | | | | | | | | | | | |
| 15 | 10.5 | 170 | 163 | 100 | 70 | 90 | 130 | 40 | 2 | 4 | 26 | 4-18 |
| 20 | 13 | 190 | 200 | 125 | 75 | 95 | 135 | 51 | 2 | 4 | 28 | 4-18 |
| 25 | 17.5 | 210 | 220 | 160 | 82 | 105 | 150 | 58 | 2 | 4 | 28 | 4-22 |
| 32 | 24 | 230 | 252 | 160 | 96 | 120 | 165 | 66 | 2 | 4 | 32 | 4-22 |